

## ZL-2501 *Zwei L* Stainless Steel Recessed Pull

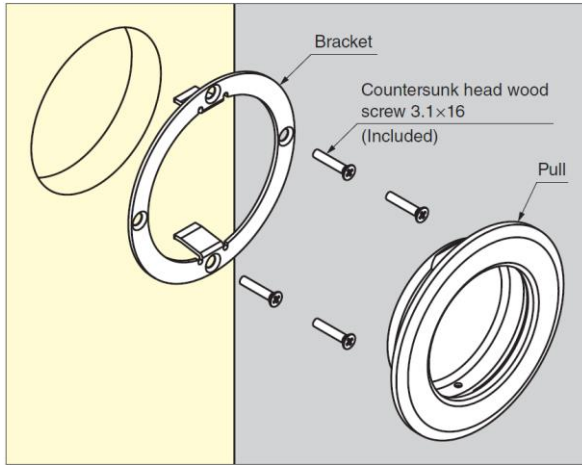
### Features

- Superior “Zwei L Finish” - *Zwei L* represents the very pinnacle of ultra-premium Japanese hardware design. The contrasting bands of mirror finish and lustrous satin on a faceted profile give a jewel like finish that highlights and enhances any industrial design

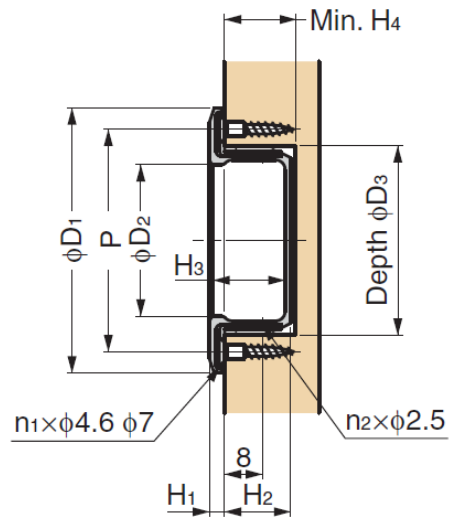
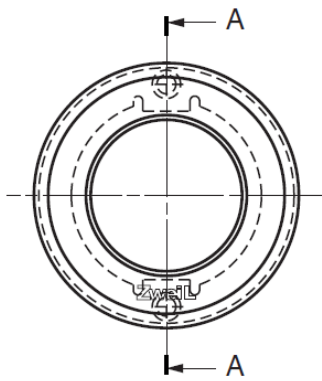
### Parts Included

- Countersunk head wood screw 3.1×16 (SUS)

### Installation



Please insert the pull after installation of the bracket with screws  
(This picture refers to **ZL-2501-56**)



A-A Cutaway view

Part No.	Material	Finish	$D_1$	$D_2$	$D_3$	$H_1$	$H_2$	$H_3$	$H_4$	$P$	$n_1$	$n_2$
GZL-2501-56	Stainless Steel 316	Zwei L Finish	56	32	40	3.2	14	16	15	47	4	2
GZL-2501-80			80	50	62	4		16.5		70		
GZL-2501-125			125	80	100	5	16	20	112	4		